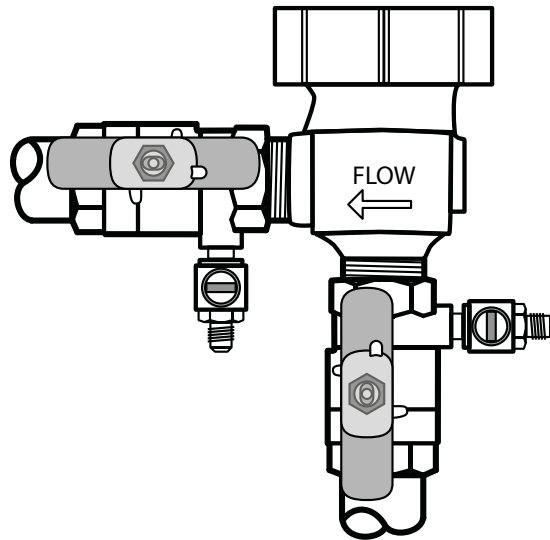
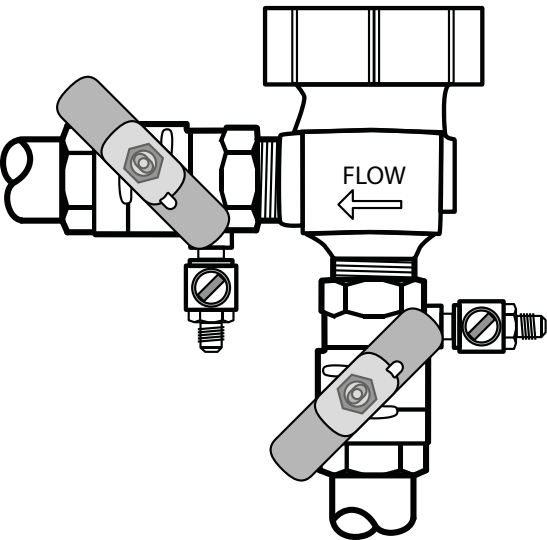
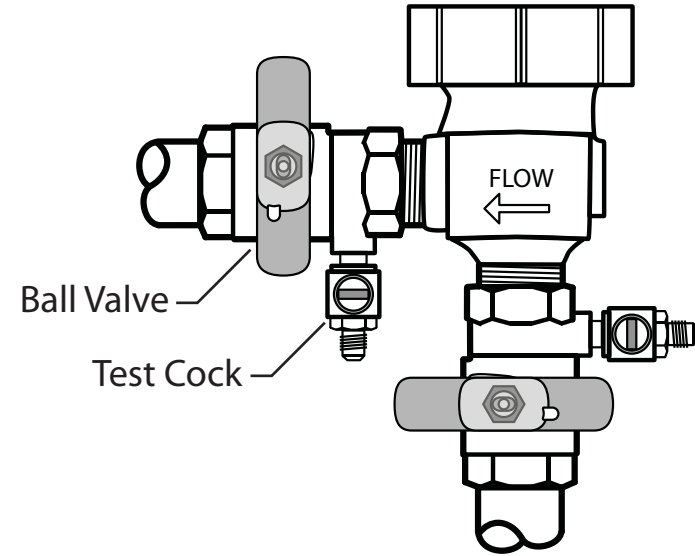


# Turn-on procedure for homeowners

1. Check PVB and place ball valves and test cocks into their closed positions.
2. Locate the irrigation shut-off valve near the water source (usually inside the house).
3. Close the drain valve (if there is one) near the shut-off valve.
4. VERY slowly, open the irrigation shut-off valve until water can be heard running through the piping. When the water stops running, fully open the valve. If the water does not stop running, refer back to step #1. If all step #1 items have been followed, check for leaks between the shut-off valve and the PVB. If leaks are found, call our office.
5. Quickly open the lower ball valve on the PVB. Check for leaks.
6. Inspect the valves in the green valve boxes (located in the yard).  
Check that the solenoids and bleeder screws on the valves are hand-tightened.
7. Slowly open the upper ball valve on the PVB until water can be heard running through the piping. When the water stops running, fully open the valve. If the water does not stop running, refer to step #6. If all of step #6 items have been followed, check for leaks out in the yard. If leaks are found, call our office.
8. Congratulations, you are now ready to operate your irrigation system from the controller.

Typical PVB (closed positions)



70 Lodgepole Lane  
Bozeman, MT 59718

Tel: (406) 582-8882  
[www.sweetpealandsaping.com](http://www.sweetpealandsaping.com)